

# INSTALLATION

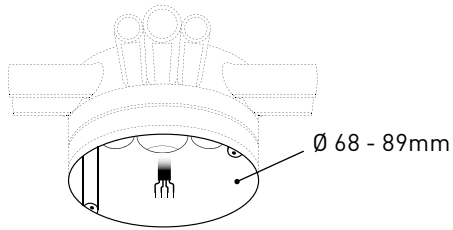
DT-Adapter Set w	DT302005
DT-Adapter Set a	DT302006

Creative-North-Solution GmbH  
Bültbek 11  
DE-22962 Siek

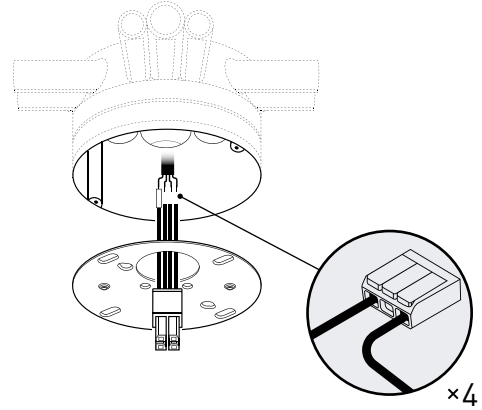
Tel: +49 4107 / 8775971  
info@detectorline.com  
www.detectorline.com

MAN-Nr.: ME-205008-00

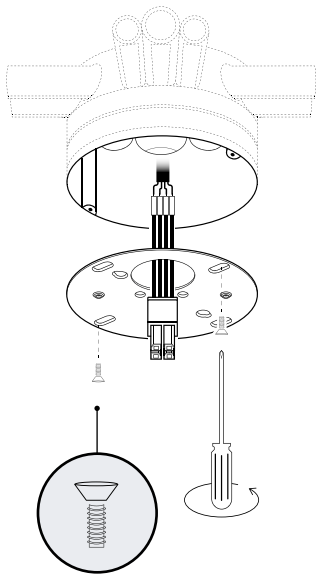
1.



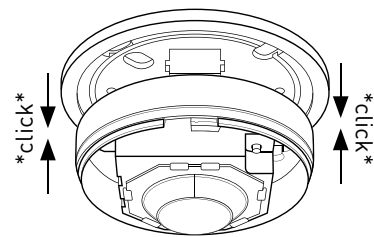
2.



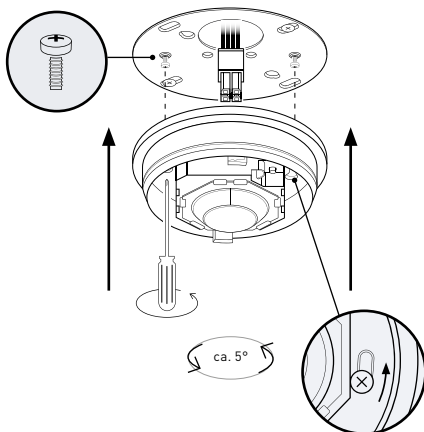
3.



4.



5.



6.

