

INSTALLATION

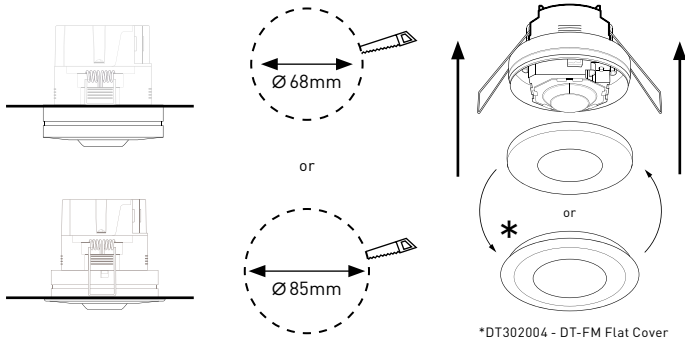
DT-FM Set - GST18	DT302008
DT-FM Set - WINSTA	DT302009
DT-FM Flat Cover	DT302004

Creative-North-Solution GmbH
Bültbek 11
DE-22962 Siek

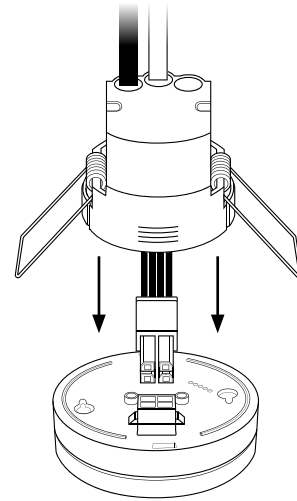
Tel: +49 4107 / 8775971
info@detectorline.com
www.detectorline.com

MAN-Nr.: ME-205009-00

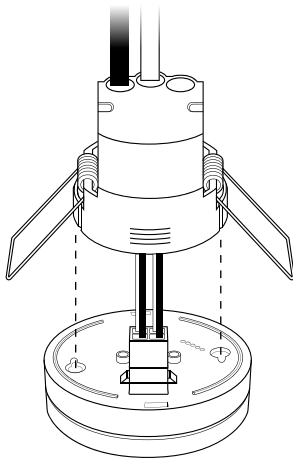
1.



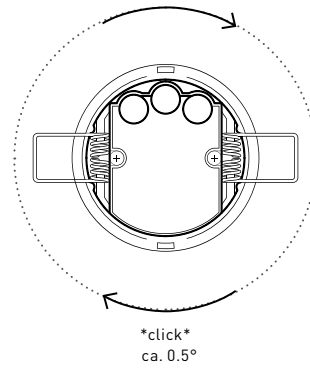
2.



3.



4.



5.

