

**APPLIES TO THE FOLLOWING MODELS**

DT-230-360i-10 wo	DT202000
DT-230-360i-10 ao	DT202001
DT-230-360i-10-MIC wo	DT202003
DT-230-360i-10-MIC ao	DT202004

**SCOPE OF DELIVERY**

DT-230-360i-10 XXX xx	DT20200X
Connection cable	CB-001000

MAN-No.: ME-901004-10

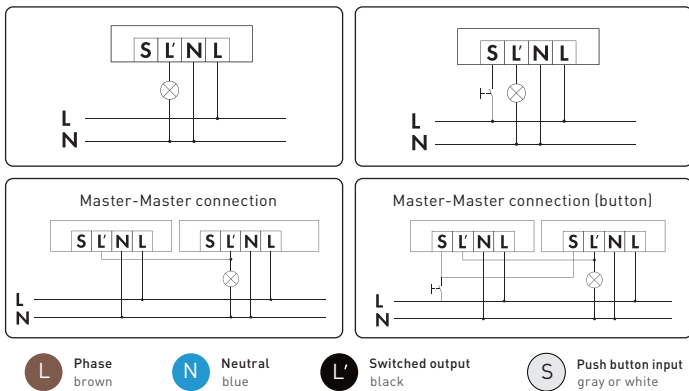
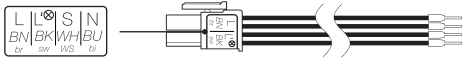
**SAFETY INFORMATION**

- Work on the 230V current may only be carried out by authorized specialist personnel under consideration of the country's customary installation regulations/standards.
- Disconnect the supply voltage before installation.
- Do not put the device into operation if damaged!

**SHORT DESCRIPTION**

The All in One sensors are passive infrared detectors for automated switching of connected lighting. They react according to ambient brightness and presence/movement indoors. At the push of a button you can switch between motion or presence detection (MD / PD). The 360° detector has a range of 10m in diameter at an installation height of 2.80m. The microphone (product-variant with additional function) allows the lighting to be switched on again in non-detectable areas, by receiving acoustic signals.

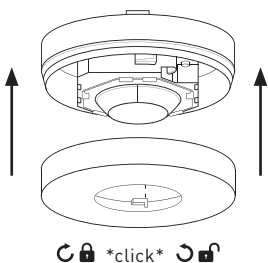
**WIRING DIAGRAM**



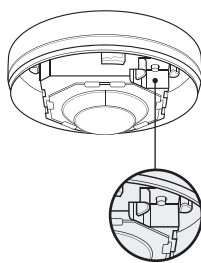
**INSTALLATION**

1. Flush-mounting
2. Recessed ceiling mounting w/ spring clips
3. Surface-mounting
4. Flush-mounting w/ cover frame

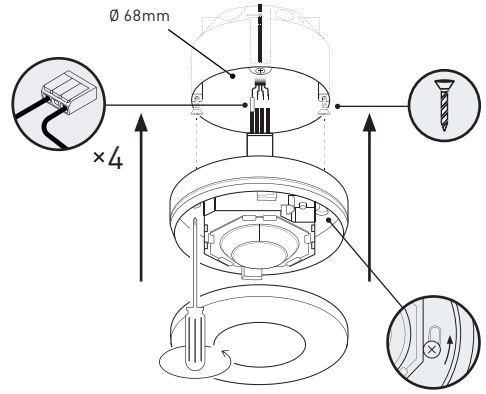
**COVER MOUNTING**



**PROG-BUTTON**

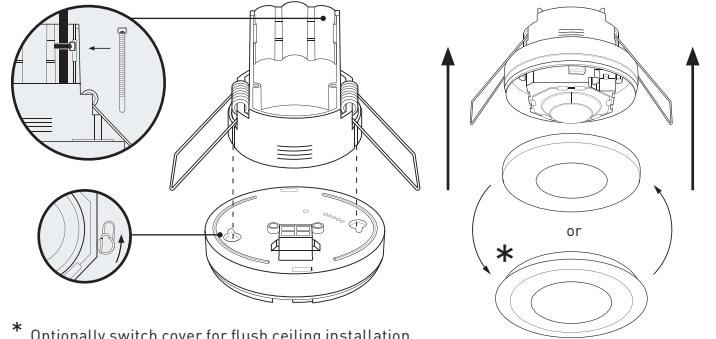


**FLUSH-MOUNTING**



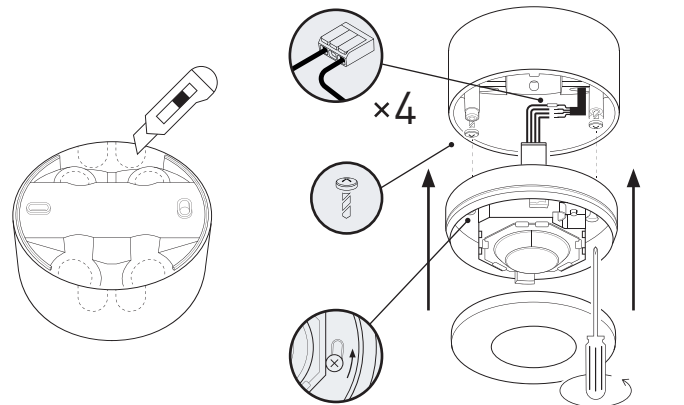
**RECESSED CEILING MOUNTING**

DT-FM Set	Recessed ceiling mounting set	DT302003
DT-FM Set - GST18	Recessed ceiling mounting set w/ Wieland GST18	DT302008
DT-FM Set - WINSTA	Recessed ceiling mounting set w/ WAGO WINSTA	DT302009



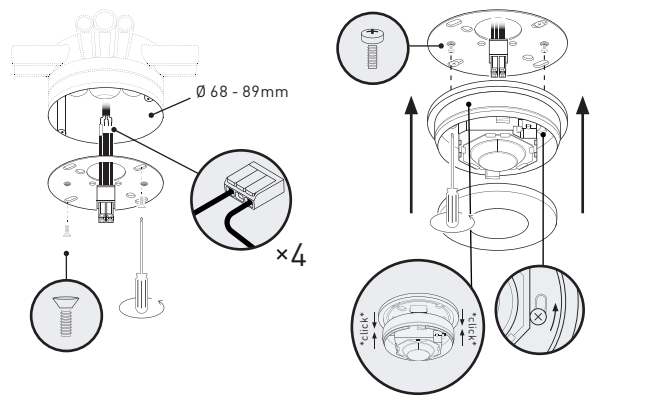
**SURFACE-MOUNTING**

DT-Surface Box w / a	IP 20 surface box white / anthracite	DT302001/ DT302002
----------------------	--------------------------------------	-----------------------



**FLUSH-MOUNTING W/ COVER FRAME**

DT-Adapter Set w / a	Adapter plate white / anthracite for flush-mounted box >Ø68mm	DT302005/ DT302006
----------------------	---	-----------------------



## INITIAL START-UP

Switch on supply voltage. An initialization phase of approx. 10s begins. The red and green LEDs flash alternately. The lighting is switched on during this time. After completion of the initialization phase the following factory settings are active.

## FACTORY SETTINGS

The detector is delivered with factory settings:


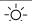
Brightness-Threshold	500 Lux
Switch-off-time delay	5 minutes
Operating mode	Fully automatic
Sensor-Sensitivity	Standard
Microphone-Sensitivity	Standard
Type of operation	Presence detector

## PROGRAM BUTTON

Press the Program button to select the program options below:

- Press button 1x = display of the currently selected program.
- Press again = change to the next program
- Keep key pressed >6s until LED flashes violet = lock or unlock remote control option

### Detector with opal lens











Program	Brightness-Threshold	Switch-off-time delay	Operating mode
Prog 1 - PD*	500 lux	5 minutes	Fully automatic
Prog 2 - PD	 (Daytime operation)	5 minutes	Semi-automatic
Prog 3 - PD	Read light value w/o artificial light	5 minutes	Fully automatic
Prog 4 - PD	Read light value w/ artificial light	5 minutes	Fully automatic
Prog 1 - MD	100 lux	5 minutes	Fully automatic
Prog 2 - MD	 (Daytime operation)	5 minutes	Semi-automatic
Prog 3 - MD	Read light value w/o artificial light	5 minutes	Fully automatic
Prog 4 - MD	Read light value w/ artificial light	5 minutes	Fully automatic

PD = Presence detector MD = Motion detector

\* Factory settings




With the remote control (not included in the scope of delivery), additional programs and settings can be performed.

## LED INDICATOR

Function	LED-behaviour/color	Description
Start-up phase	fade-in/fade-out (10s, alternating):	
	Red & Green 	Presence detector
	Red & Blue 	Motion detector
Motion detection	fade-in/fade-out (once):	
	Red 	If ambient brightness is too high
	Green 	PD: Ambient light below set light value + motion detection
	Blue 	MD: Ambient light below set light value + motion detection
	Violet 	If locked or manually controlled
	White 	Holiday function active
Factory programs	flashes (x-times):	
	Green 	1x = Prog 1 as presence detector 2x = Prog 2 as presence detector 3x = Prog 3 as presence detector 4x = Prog 4 as presence detector
	Blue 	1x = Prog 1 as motion detector 2x = Prog 2 as motion detector 3x = Prog 3 as motion detector 4x = Prog 4 as motion detector
Safety feature	flashes (fast):	
	Red 	Thermal protection active - lighting is automatically switched off.

## FUNCTION AFTER INITIALIZATION PHASE

LED indicator when a movement is detected: Fade-in/fade-out (once)

Red 	Ambient light above the brightness-threshold. Connected lighting is off.
Green 	Presence detector mode
Blue 	Motion detector mode

## BEHAVIOR OF THE DETECTOR

### Switching light on

in fully automatic mode	Ambient light has fallen below the set light value. The connected lighting switches on automatically.
in semi-automatic mode	Switching on is done manually by external push-button or remote control.

### Switching light off

	Automatically, when no movements are detected and the set switch-off-time has expired.
with acoustic sensor	Once the switch-off-time has elapsed and the lighting is automatically switched off, the lighting can be switched on again by making a noise within a time window of 10s.
Note on the presence detector	If the ambient light exceeds the set light value (daylight increases), the detector automatically switches off the lighting shortly after; despite the detection of presence. The lighting can then be switched back on manually at any time (button or remote control).

## OTHER ACCESSORIES

NAME	DESCRIPTION	ITEM NO.
DT-IR remote control	IR - remote control	DT302000
DT-Protective cage 165	Protective cage Ø165mm	DT302007

## TECHNICAL SPECIFICATIONS

	DT202000	DT202003	DT202001	DT202004
Device type	All in One Sensor (motion- and presence detector)			
Acoustic sensor		•		•
Operating voltage	230VAC / 50-60Hz			
Power consumption	0,2W			
Switching capacity	230 V/50-60 Hz, 2300W/10 A (cos phi = 1), 1150 VA/5 A (cos phi = 0,5)			
Range	Ø 10m			
Brightness-thresholds	0 - 2000 Lux [+ Daytime operation]			
Switch-off-time delay	1 sec. to 180 min.			
Operating mode	Fully- or semi-automatic			
Interface	Push button input			
Connection	Plug contact with connection cable incl. lever clamps			
Protection type	IP 20			
Protection class	II			
Dimensions	Ø 84mm, ↓ H: 30mm			
Area of application	Interior			
Operating temperature	0°C ... +50°C			
Housing color	White [RAL 9016]		Anthracite [RAL 7021]	
Housing	UV-stabilized polycarbonate			

## IMPRINT

Creative-North-Solution GmbH  
Bültbek 11  
DE-22962 Siek

Tel: +49 4107 / 8775971  
info@detectorline.com  
www.detectorline.com



These products comply with the essential requirements. The Declaration of Conformity concerning these products are available on request.



This device must not be disposed of as unsorted household waste. Used devices must be disposed of correctly. Contact your local town council for more information.